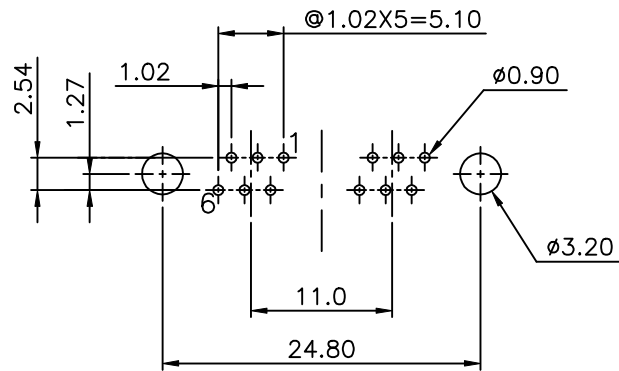
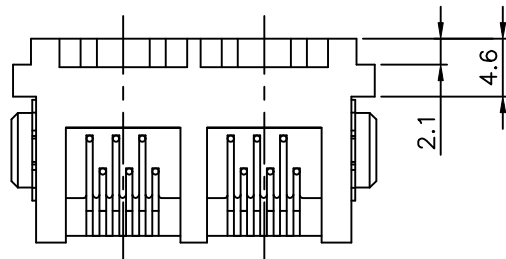
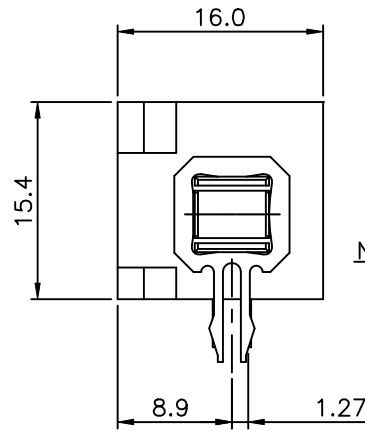
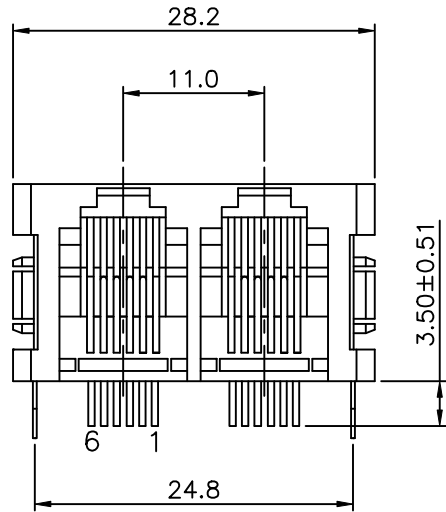


| REVISION RECORD | | | | |
|-----------------|-----|-------------|-----------------|------|
| REV | ECO | DESCRIPTION | DRFT | CHKD |
| △ | | MODIFY NOTE | JAMY 9/29/05 | |



Pcb Board Layout Component Side Shown

NOTES:

ELECTRICAL:

- VOLTAGE RATING : 125 VAC RMS.
- CURRENT RATING : 1.5 AMP.
- CONTACT RESISTANCE : 30 MILLIOHMS MAX.
- INSULATION RESISTANCE: 1000 MEGOHMS MIN @ 500 VDC.
- DIELECTRIC STRENGTH : 1000 VAC RMS 60Hz, 1MIN.

MECHANICAL:

- HOUSING MATERIAL : NYLON+30%.G.F UL94V-0.
- HOUSING COLOUR : BLACK. △
- CONTACT MATERIAL : PHOSPHOR BRONZE ϕ 0.46mm
- PLATING : GOLD PLATING OVER NICKEL.
- OPERATING LIFE : 750 CYCLES MIN.
- PCB RETENTION PRE-SOLDER : 1 LB MIN.
- PCB RETENTION POST-SOLDER: 10 LBS MIN.

ENVIRONMENTAL:

- STORAGE : -40°C TO +85°C.
- OPERATION: 0°C TO 70°C.
- WAVE SOLDERING TEMPERATURE :255°C~265°C (5~10 SECONDS)

MATES WITH MODULAR PLUG CONFORMING TO

FCC PART 68, SUBPART F.

CUL FILE NO. E163191

ROHS PART NUMBER: E5H6X-10AA1X-L

| | | |
|-----------------|--------|----------|
| NO. OF CONTACT: | 1- 3u" | 2- 6u" |
| 2- 2C | 3-15u" | 4-30u" |
| 4- 4C | 5-50u" | 6-Pd20u" |
| 6- 6C | | |

| | | | | | | | |
|------------------------|----------------------------|--------------|-----------------------------------|-------------------------------|----------------------|-------|----------|
| DETACHED LISTS | MM (INCH) | DFTO JAMY | DATE 6/10/05 | FULL RISE ELECTRONIC CO., LTD | | | |
| | TOLERANCES EXCEPT AS NOTED | CHKD SAMMY | DATE 2005/09/30 | | | | |
| | MM | MFO | DATE | TITLE | | | |
| | .0 ± 0.2 ± | APPV LUSHENG | DATE 2005/09/30 | | | | |
| .00 ± 0.15 ± | MATERIAL : | | SIDE ENTRY METAL FEET PCB JACK 6P | | | | |
| .000 ± 0.075 ± | QTY : | | | | | | |
| ANGLES ± 0.5 | FINISH : | | DRAWING NO. GE5H3015-LA | | SIZE A3 | REV 1 | |
| THIRD ANGLE PROJECTION | SCALE : 2 : 1 | | /PART NO. SEE NOTE | | DO NOT SCALE DRAWING | | SHEET OF |